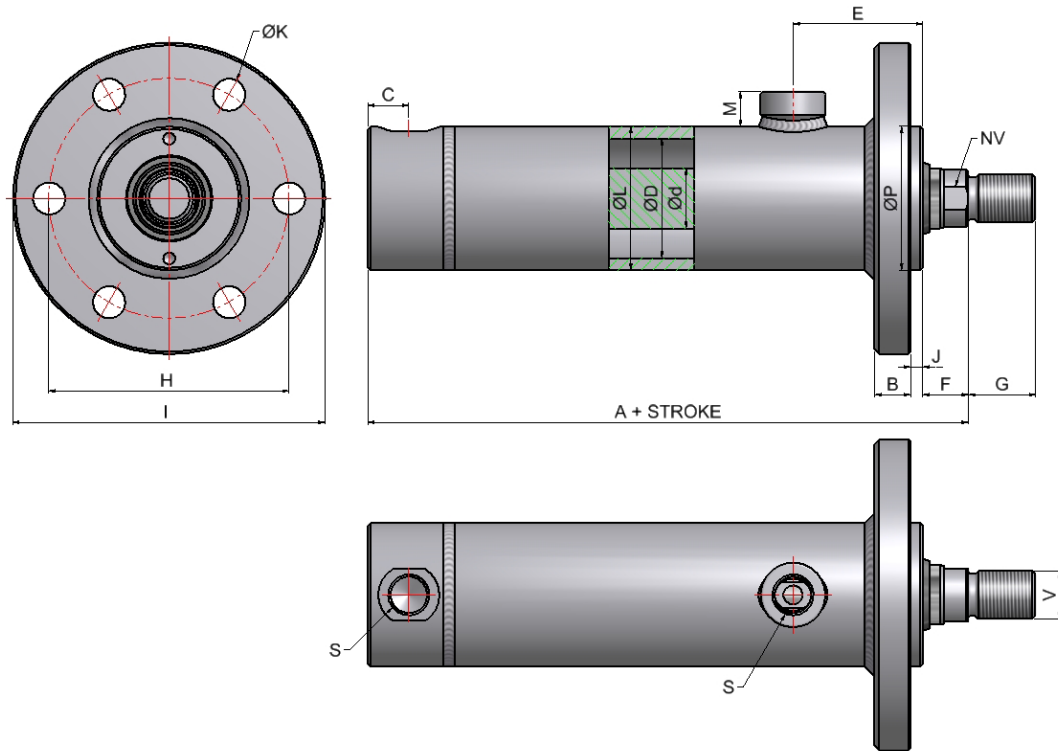


# KS2-DVGF Cylinders

## Front flange - threaded rod end



### Specifications

$\varnothing D$	50	63	80	90	100	110	125	140	160	180	200	220	250
$\varnothing d$	25/32	32/40	40/50	45/56	50/63	56/70	63/80	70/90	80/100	90/110	100/125	100/140	110/160
A	149	160	177	195	216	232	241	238	286	292	306	368	388
B	15	15	20	25	25	30	30	30	40	40	45	50	55
C	15	18	18	20	22	23	25	21	28	26	27	40	35
E	54	54	62	67	77	82	85	103	114	122	122	135	158
F	19	27	28	39	46	47	44	29	47	37	47	53	39
G	28	36	45	45	56	56	63	75	85	85	85	106	112
H	100	115	155	165	190	200	215	235	275	300	330	375	420
I	130	145	195	205	230	240	255	275	330	355	390	440	505
J	5	5	5	5	12	12	10	15	20	20	20	20	25
$\varnothing K$	6 x 13.5	6 x 13.5	6 x 17.5	6 x 17.5	6 x 22	6 x 22	8 x 22	8 x 22	8 x 26	8 x 26	8 x 33	8 x 33	8 x 39
$\varnothing L$	60	73	95	105	120	130	145	165	185	210	230	254	298.5
M	14	14	18	18	18	18	18	18	22	22	22	22	22
$\varnothing P$	60	73	90	100	115	125	145	165	185	210	230	250	298
S	3/8"	3/8"	1/2"	1/2"	3/4"	3/4"	3/4"	3/4"	1"	1"	1"	1"	1"
V	M20x1.5	M27x2	M33x2	M33x2	M42x2	M42x2	M48x2	M56x2	M64x3	M64x3	M72x3	M90x3	M100x3
NV	22/25	25/35	35/45	38/48	45/55	48/60	55/70	60/80	70/90	80/102	90/115	90/130	102/150

All measurements in millimetres (mm) unless otherwise quoted.