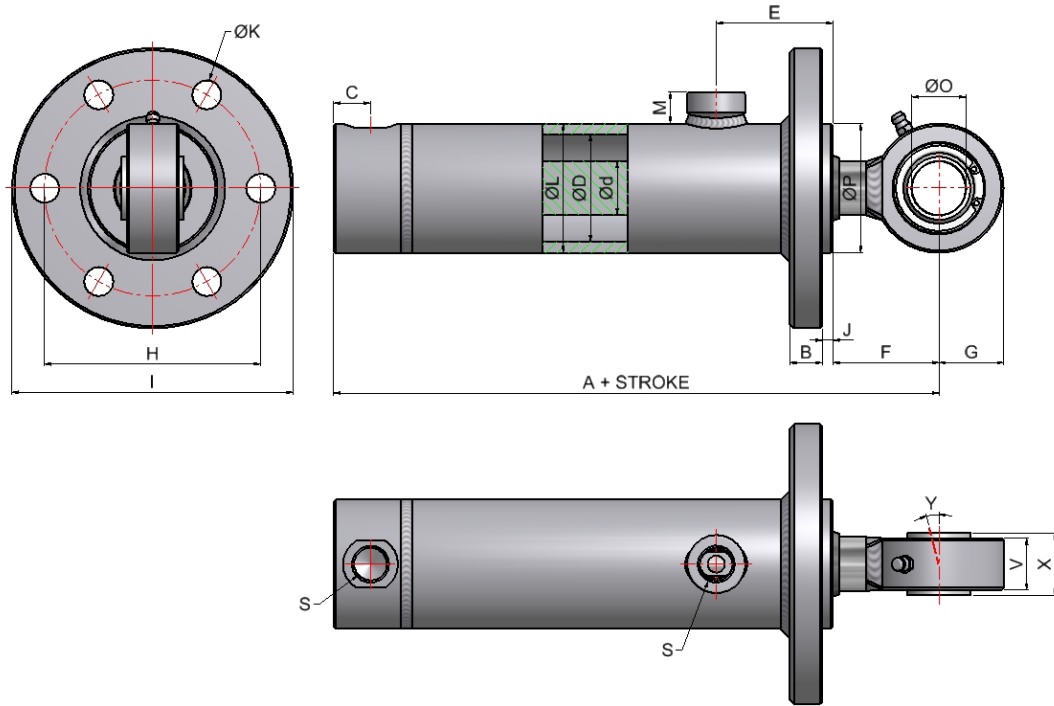


# KS2-DVLF Cylinders

## Front flange - spherical bearing rod end



### Specifications

	50	63	80	90	100	110	125	140	160	180	200	220	250
$\varnothing D$	50	63	80	90	100	110	125	140	160	180	200	220	250
$\varnothing d$	25/32	32/40	40/50	45/56	50/63	56/70	63/80	70/90	80/100	90/110	100/125	100/140	110/160
A	179	195	217	245	269	287	306	311	366	375	396	480	515
B	15	15	20	25	25	30	30	30	40	40	45	50	55
C	15	18	18	20	22	23	25	21	28	26	27	40	35
E	54	54	62	67	77	82	85	103	114	122	122	135	158
F	49	62	68	89	99	102	109	102	127	120	137	165	166
G	30	35	40	50	55	55	65	80	85	85	90	120	130
H	100	115	155	165	190	200	215	235	275	300	330	375	420
I	130	145	195	205	230	240	255	275	330	355	390	440	505
J	5	5	5	5	12	12	10	15	20	20	20	20	25
$\varnothing K$	6 x 13.5	6 x 13.5	6 x 17.5	6 x 17.5	6 x 22	6 x 22	8 x 22	8 x 22	8 x 26	8 x 26	8 x 33	8 x 33	8 x 39
$\varnothing L$	60	73	95	105	120	130	145	165	185	210	230	254	298.5
M	14	14	18	18	18	18	18	18	22	22	22	22	22
$\varnothing O$	25 (-0.01)	30 (-0.01)	35 (-0.012)	45 (-0.012)	50 (-0.012)	50 (-0.012)	60 (-0.015)	70 (-0.015)	80 (-0.015)	80 (-0.015)	90 (-0.02)	110 (-0.02)	120 (-0.02)
$\varnothing P$	60	73	90	100	115	125	145	165	185	210	230	250	298
S	3/8"	3/8"	1/2"	1/2"	3/4"	3/4"	3/4"	3/4"	1"	1"	1"	1"	1"
V	24	28	32	38	40	40	50	60	70	70	80	80	90
X	29	30	35	40	43	43	54	65	74	74	60	70	85
Y	4°	4°	4°	4°	4°	4°	3°	4°	4°	4°	6°	8°	6°

All measurements in millimetres (mm) unless otherwise quoted.