

SubConn® Micro Circular Double O-ring 2, 3, 4, 5, 6 and 8 contacts and G2 2, 3 and 4 contacts

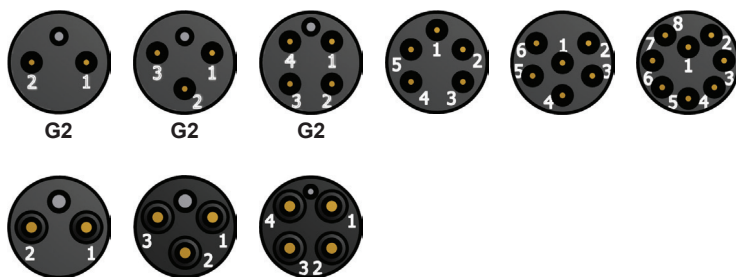
Connector specifications

Voltage rating	300 V DC/AC rms
2, 3 and 4 contacts current rating	10 A per contact (max 20 A per connector)
5, 6 and 8 contacts current rating	5 A per contact (max 20 A per connector)
G2 2, 3 and 4 contacts connector current rating	5 A per contact (max 20 A per connector)
Insulation resistance	> 200 Mohm
Contact resistance	< 0.01 ohm
Wet matings	> 500 (open face rated)
Temperature rating (water)	- 4 to 60°C, 25 to 140°F
Temperature rating (air)	- 40 to 60°C, - 40 to 140°F
Storage temperature rating	- 40 to 60°C, - 40 to 140°F
Qualified pressure tested	800 bar, 11,600 psi
Depth rating PEEK	300 bar, 4,350 psi

Material specifications

Connector body	Chloroprene rubber
Bulkhead body with 20 mm hex flats	Brass, titanium or anodised aluminium
Bulkhead body with 22 mm hex flats	Anodised aluminium or stainless steel
Bulkhead RA body	Aluminium or titanium
2, 3 and 4 contacts	Gold plated brass UNS - C36000
5, 6, 8 contacts and G2 2, 3 and 4 contacts	Female sockets in gold plated brass UNS C36000
	Male pins in gold plated beryllium copper
Location pin	Stainless steel AISI 303
O-rings	Nitrile
Locking sleeves	ABS or stainless steel
Snap rings	Stainless steel AISI 302
2, 3 and 4 contact bulkhead leads (1 ft, 30 cm)	20 AWG, 0.52 mm ² coloured PTFE
5, 6 and 8 contact bulkhead leads (1 ft, 30 cm)	22 AWG, 0.33 mm ² coloured PTFE
G2 2, 3 and contact 4 bulkhead leads (1 ft, 30 cm)	20 AWG, 0.52 mm ² coloured PTFE

Face view (male)





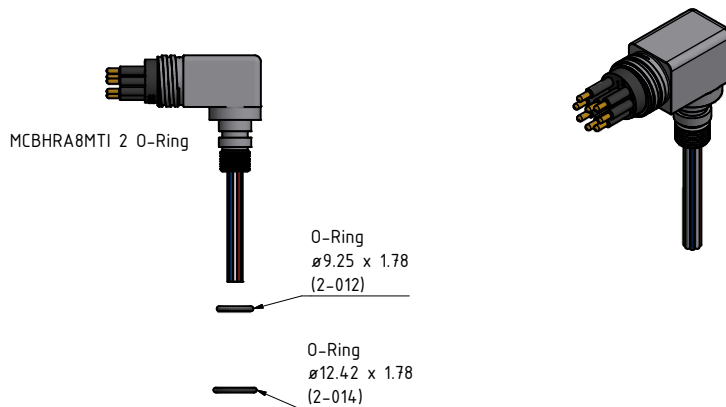
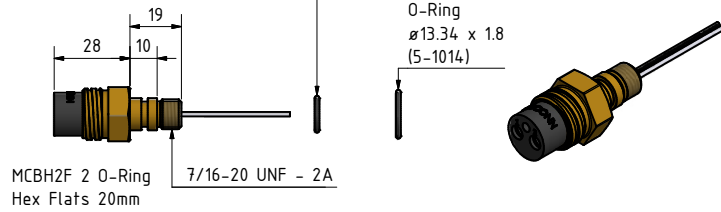
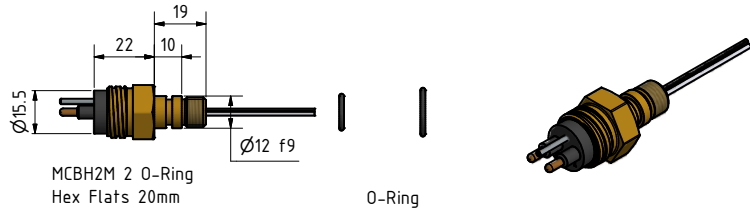
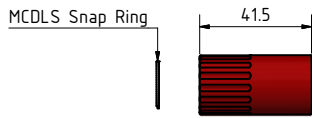
For more information see page 26/27

MCIL2M
MCOM2M
MCPB0F2M
MCDC2M



For more information see page 26/27

MCIL2F
MCOM2F
MCPB0F2F
MCDC2F



Drawing information

Dimensions in mm (1 mm = 0.03937 inch)
Threads in inches (1 inch = 25.4 mm)