

# SubConn® Nano

## 6 contacts

### Connector specifications

Voltage rating	300 V DC/AC rms
Contacts current rating	3 A per contact (max 10 A per connector)
Insulation resistance	200 Mohm
Contact resistance	< 0.01 ohm
Wet/splash matings	>500
Temperature rating (water)	-4 to 60°C, 25 to 140°F
Temperature rating (air)	-40 to 60°C, - 40 to 140°F
Storage temperature rating	40 to 60°C, - 40 to 140°F
Qualified pressure tested	700 bar
Open face rated	700 bar

### Material specifications

Connector body	Chloroprene rubber, Titanium
Bulkhead body	Titanium
Contacts	Female sockets in gold plated brass UNS - C36000 Male pins in gold plated beryllium copper
O-rings	Nitrile
Locking sleeves	Anodized titanium
Bulkhead leads (12")	24 AWG, PTFE
Inline cable	Data cable - type 1735CC

### Face view (male)



### Inline cable colour code

1-2 Black/white*	3-4 Red/Green*	5-6 Orange/Blue*
------------------	----------------	------------------

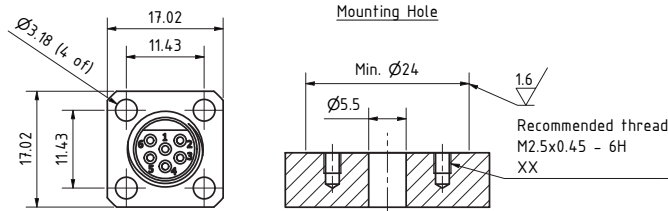
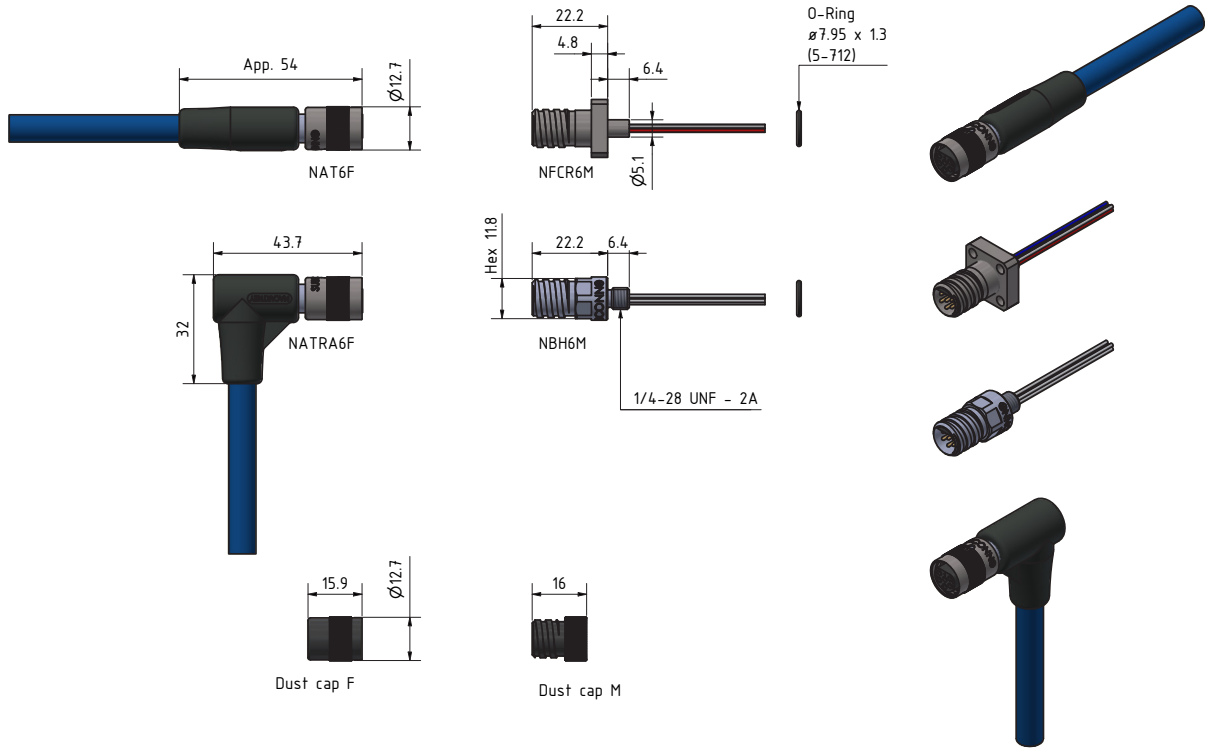
\* Twisted pairs

### BCR/FCR cable colour code

1 Black	3 Red	5 Orange
2 White	4 Green	6 Blue

### Nominal cable outside diameter (OD)

PUR cable 0.315", 8.00 mm



### Drawing information

Dimensions in mm (1 mm = 0.03937 inch)  
Threads in inches (1 inch = 25.4 mm)