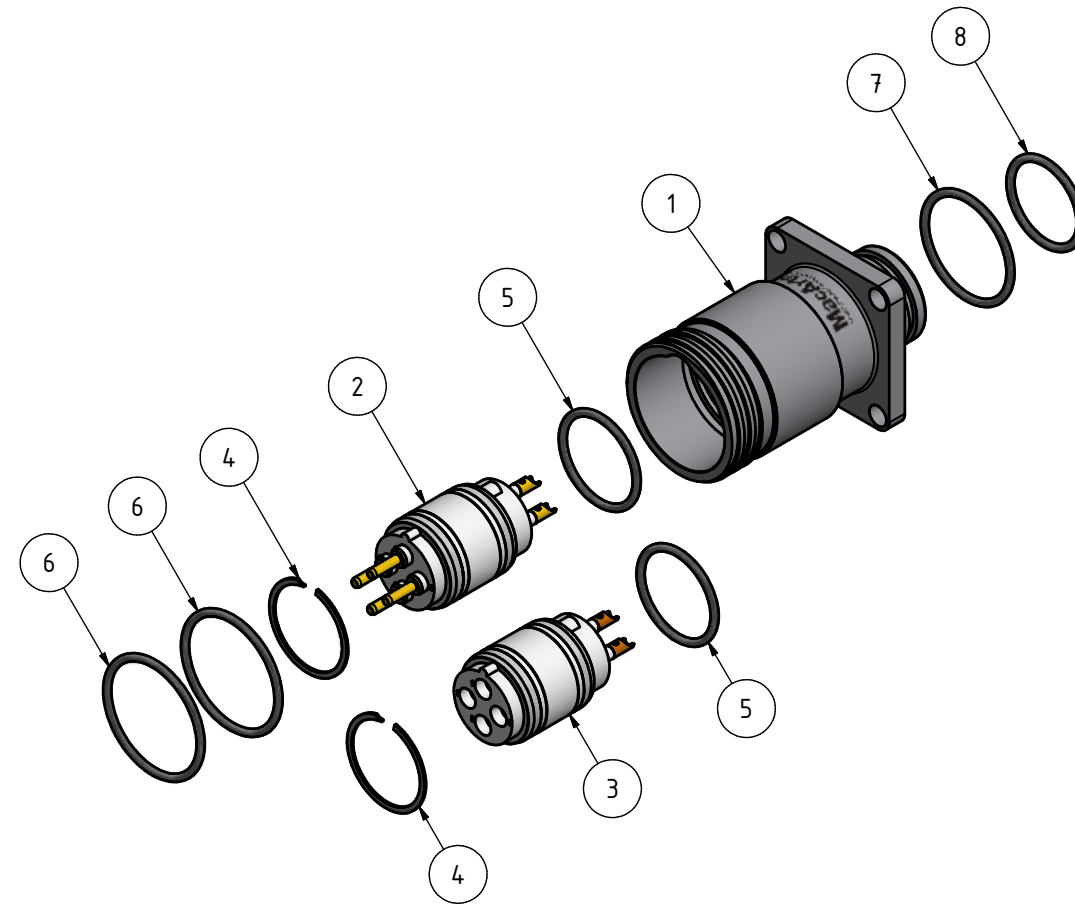


TrustLink Metal Shell Connector

FCR - assembly instruction



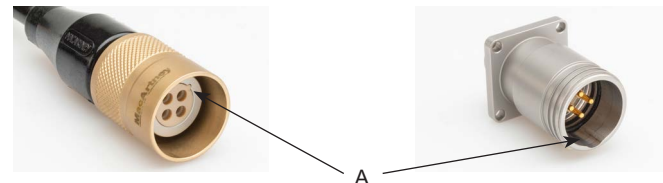
Important:
Male connectors shall not be energised while unmated.
Energising in unmated condition causes a significant health risk due to electrical shock or short circuit due to the potential risk of flashover pin to pin or pin to housing.

	FCR Housing	Male Insert kit	Female Insert kit	O-ring kit
SA 04 Pin	1) 0024730601-019	Kit no.: 100005413 2) Insert 02961001 4) Circlips XVHM-19 100006662 5) O-ring 08350109 (ø17.5x1.5 FPM75)	Kit no.: 100005424 3) Insert 2961002 4) Circlips XVHM-19 100006662 5) O-ring 08350109 (ø17.5x1.5 FPM75)	Kit no.: 100005300 4) Circlips XVHM-19 100006662 5) O-ring 08350109 (ø17.5x1.5 FPM75) 6) O-ring 08350112 (ø22.5x1.5 FPM-75) 7) O-ring 08350111 (ø20.5x1.5 FPM-75) 8) O-ring 08350108 (ø16.5x1.5 FPM-75)
SA 08 Pin		Kit no.: 100005425 2) Insert 02961003 4) Circlips XVHM-19 100006662 5) O-ring 08350109 (ø17.5x1.5 FPM75)	Kit no.: 100005426 3) Insert 2961004 4) Circlips XVHM-19 100006662 5) O-ring 08350109 (ø17.5x1.5 FPM75)	
SA 12 Pin		Kit no.: 100005427 2) Insert 02961005 4) Circlips XVHM-19 100006662 5) O-ring 08350109 (ø17.5x1.5 FPM75)	Kit no.: 100005428 3) Insert 2961006 4) Circlips XVHM-19 100006662 5) O-ring 08350109 (ø17.5x1.5 FPM75)	
SB 16 Pin	1) 0024730601-016	Kit no.: 100005429 2) Insert 02961007 4) Circlips XVHM-20 100006663 5) O-ring 08350110 (ø18.5x1.5 FPM75)	Kit no.: 100005430 3) Insert 02961008 4) Circlips XVHM-20 100006663 5) O-ring 08350110 (ø18.5x1.5 FPM75)	Kit no.: 100005301 4) Circlips XVHM-20 100006663 5) O-ring 08350110 (ø18.5x1.5 FPM75) 6) O-ring 08350112 (ø22.5x1.5 FPM-75) 7) O-ring 08350115 (ø23.5x1.5 FPM-75) 8) O-ring 08350110 (ø18.5x1.5 FPM-75)
SB 19 Pin		Kit no.: 100005431 2) Insert 02961009 4) Circlips XVHM-20 100006663 5) O-ring 08350110 (ø18.5x1.5 FPM75)	Kit no.: 100005432 3) Insert 02961010 4) Circlips XVHM-20 100006663 5) O-ring 08350110 (ø18.5x1.5 FPM75)	
SC 26 Pin	1) 0024730601-021	Kit no.: 100005433 2) Insert 02961011 4) Circlips XVHM-24 100006664 5) O-ring 08350112 (ø22.5x1.5 FPM-75)	Kit no.: 100005434 3) Insert 02961012 4) Circlips XVHM-24 100006664 5) O-ring 08350112 (ø22.5x1.5 FPM-75)	Kit no.: 100005302 4) Circlips XVHM-24 100006664 5) O-ring 08350112 (ø22.5x1.5 FPM-75) 6) O-ring 08350114 (ø27.5x1.5 FPM-75) 7) O-ring 08350114 (ø27.5x1.5 FPM-75) 8) O-ring 08350112 (ø22.5x1.5 FPM-75)
SC 37 Pin		Kit no.: 100005435 2) Insert 02961013 4) Circlips XVHM-24 100006664 5) O-ring 08350112 (ø22.5x1.5 FPM-75)	Kit no.: 100005436 3) Insert 02961014 4) Circlips XVHM-24 100006664 5) O-ring 08350112 (ø22.5x1.5 FPM-75)	

TrustLink Metal Shell Connectors Handling instructions

Follow these instructions carefully to ensure correct use of your TrustLink connector.

Assembly

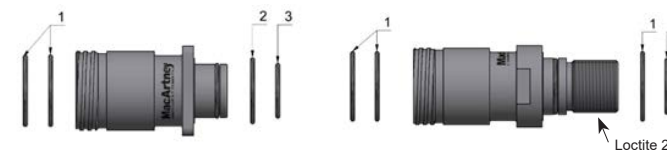


TrustLink CCP to FCR, BCR receptacle

- Step 1: Inspect the connector metal parts and O-rings for contamination. Grease the O-rings with Molykote 111
- Step 2: Inspect the connector insert. If the connector insert is contaminated, follow the TrustLink MS maintenance
- Step 3: Visually align the key way on the CCP connector with the key pin tip on the receptacle **before** mating (illustration A)
- Step 4: Push to mate the connector, whilst turning the locking sleeve
- Step 5: The locking sleeve must be hand tightened only

Maintenance

- If the connector insert or O-rings are contaminated. Cleaning and removal of any accumulated contamination on a connector, should be performed by using spray based contact cleaner (isopropyl alcohol)
- Repeat the cleaning process if necessary
- O-rings item 1, 2, 3, 4 must be checked before mating/mounting and will require replacing if they show signs of damage
- Sizes of O-rings can be found in the assembly instructions on our webpage



- Always grease O-rings with Molykote 111
- For securing the BCR connectors and nut, the use of Loctite 243 is recommended (Loctite 243 or equivalent) If the torque is less as recommended, always use Loctite 243
- Be careful not to get the Loctite on the O-rings

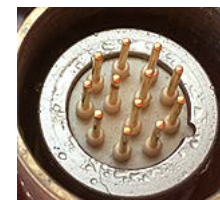
Recommended torque on Bulkhead TrustLink MS (Loctite 243 applied)

Type	Material	Rec. Torque – Nm
3/4" - 20 UNF	Stainless steel, brass	52 ± 2
7/8" - 20 UNF	Stainless steel, brass	71 ± 2
1" - 20 UNF	Stainless steel, brass	92 ± 2

The TrustLink Metal Shell series is rated to 600 bar mated.

NOTE:

When dismantling the CCP, vacuum may accrue in the connector. It can cause water from above the O-rings, to migrate in to the connection area. If that accrues, run the maintenance instruction.



MacArtney
UNDERWATER TECHNOLOGY

TrustLink
Metal Shell Connectors



FCR - assembly instruction