

OptoLink Fibre Penetrator



The MacArtney OptoLink fibre penetrator is specifically designed to withstand the challenges of system infrastructure at depths of up to 6,000 metres. Its unique depth rating also means that integrity is certified for almost the entire global ocean floor.

The MacArtney penetrator design is extremely versatile. It is available with 2 types of standard housing: 5/8" thread or FCR. The FCR is available with straight, angled or custom-made housing. They are interchangeable and can be replaced should customer requirement change over time.

The OptoLink fibre penetrator is designed to use standard parts, ensuring tried and tested quality and reasonable pricing. It is also available for fast delivery.

Features and benefits

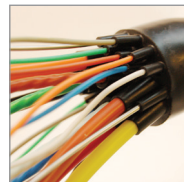
- 6,000 metres standard depth rating (dry box)
- Wide range of available housing types
- Interchangeable housings
- Stock and service at various MacArtney locations worldwide

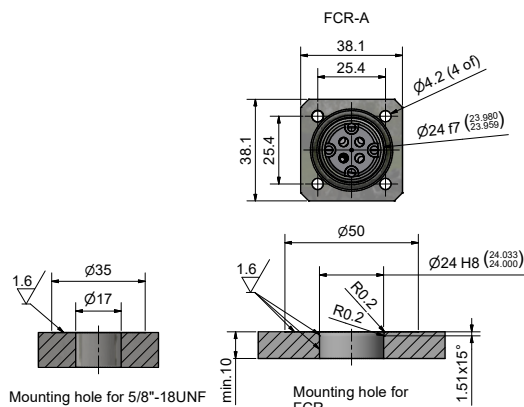
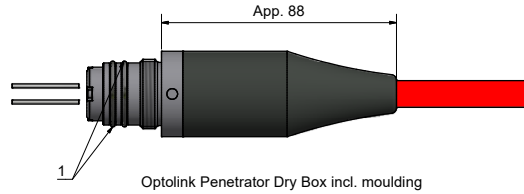
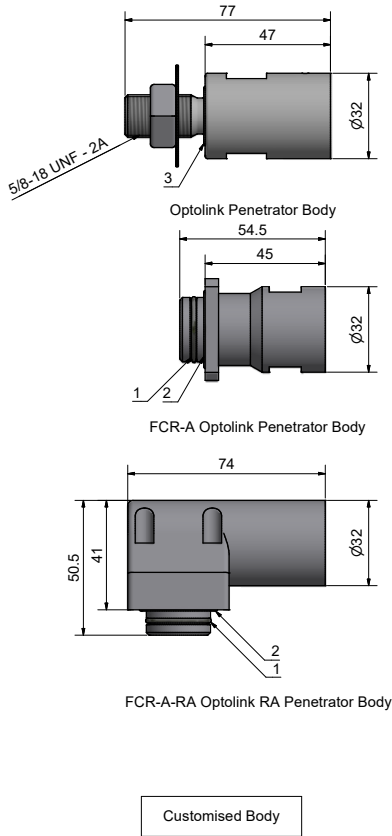
Applications

- ROV, ROTV and AUV systems
- Fibre optic video and data multiplexers
- Cable ploughs
- Acoustic ranges
- Fibre optic riser fatigue systems
- Renewable energy applications
- General underwater communication applications
- Subsea completion systems

Options

- Can be ordered with any pigtail length
- Various shell materials available
- Certified pressure testing of assemblies or components





- O-rings:
1. $\phi 20.35 \times 1.78$ FPM75 (2-019)
 2. $\phi 25.12 \times 1.78$ FPM75 (2-022)
 3. $\phi 18.77 \times 1.78$ FPM75 (2-018)

Specifications

Material specifications

Metal shell housing: AISI 316
O-rings: FPM 75

Connector specifications

Depth rating: 6,000 m (dry box)
Temperature rating: Storage: $-40^{\circ}\text{C}/+70^{\circ}\text{C}$
Operational: $-20^{\circ}\text{C}/+50^{\circ}\text{C}$
Pigtails: 1 m pigtail with ST connector

Optical specifications (single mode and/or multi mode)

Wavelength: Within single-mode range
Attenuation: ST connector typically 0.2 dB
Fibre types: 9/125 μm and 50/125 μm
Optical passes: 1 to 7 passes