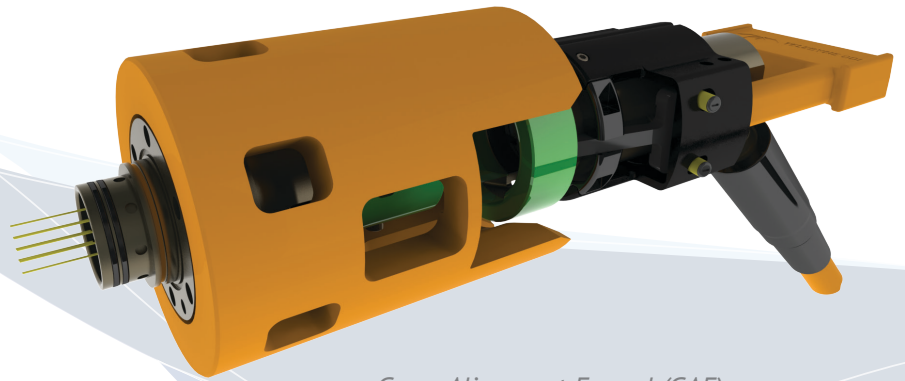


Gross Alignment Funnel (GAF) & Enhanced Latching Indicator (ELI)

A robust, fully-retrofitable system designed to increase ROV mating accuracy –
Designed to optimize ROV mating efficiency and reduce operator time

As Teledyne ODI approaches 190,000 Nautilus™ and Rolling Seal connectors deployed, we understand that ROV intervention time due to operator variability, and environmental conditions such as current and visibility, can significantly increase costs. Teledyne ODI now offers two wetmate connector enhancements, designed to optimize ROV mating efficiency and reduce operator time, thus lowering total installed cost.



*Gross Alignment Funnel (GAF)
& Enhanced Latching Indicator (ELI)*

The Teledyne ODI Gross Alignment Funnel (GAF) can be used in conjunction with the Enhanced Latching Indicator (ELI) System to overcome severe approach angles of ROV connectors during mating. Easily installed onto an existing Nautilus™ or Rolling Seal bulkhead mounted connector, the Teledyne ODI Gross Alignment Funnel significantly reduces ROV operator variability, ultimately resulting in faster mating/demating, and lower overall operator cost.

In many cases, mating is further complicated when the bulkhead mounted connector end is shrouded by a protective bucket or mounting plate, so the Teledyne ODI Enhanced Latching Indicator presents visual mating indication closer to the handle area of the ROV Nautilus™ or Rolling Seal connector. When unmated, four high-visibility yellow indicators rest inside the handle and when a successful mate occurs, the indicators extend out. The Enhanced Latching Indicator is easily retrofitted onto Nautilus™ or Rolling Seal Flying Lead Connectors already in the field. When used with the GAF, the ELI provides additional fine alignment registration.

PRODUCT FEATURES

- Guide funnel for mating operations
- Visual indicators of a successful mate
- Improves ROV mating accuracy
- Results in faster mating/demating times

Gross Alignment Funnel (GAF) & Enhanced Latching Indicator (ELI)

A robust, fully-retrofitable system designed to increase ROV mating accuracy – Designed to optimize ROV mating efficiency and reduce operator time

TECHNICAL SPECIFICATIONS

ENHANCED LATCHING INDICATOR SPECIFICATIONS

Operational Temperature	Seawater	23°F to +104°F (-5°C to +40°C)
	Air	-22°F to +122°F (-30°C to +50°C)
Storage Temperature		-40°F to +140°F (-40°C to +60°C)
Maximum Operational Pressure		10,000 psi
Mate/Demate Cycles	Rolling Seal	100
	Nautilus™	1,000
Mating Force Due to Latching Indicator		< 10 lbs
Demating Force Due to Latching Indicator		< 10 lbs
Material		Rigid Thermoplastic Polyurethane
GROSS ALIGNMENT FUNNEL SPECIFICATIONS	Maximum Side Load Tolerance as Installed	1,000 lbs
	Maximum Mating Tilt Angle Possible	30 deg. (with ELI installed on ROV connector)
	Material	Acetal

For reference only, see FDS - D/N 233234 for Official Values

