

# Nautilus WM10-250

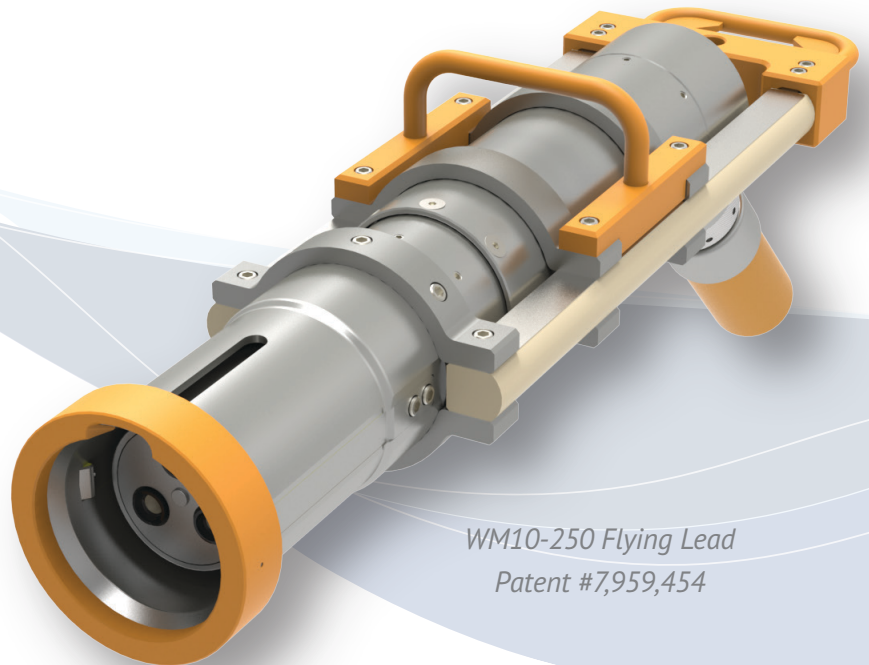
ROV Wet-Mateable Connector designed for use in deep subsea pumping, processing & boosting applications – Three way 250 A connector

Nautilus WM10-250 is designed to provide a subsea, wet-mateable connection between components requiring high voltage and/or high current. The contact and seal mechanisms were designed using Teledyne ODI's experience with the industry-standard Nautilus electrical wet-mateable connector providing a reliable sealing and mating mechanism throughout the life of the connector.

Teledyne ODI's Nautilus WM10-250 is designed with the benefit of advanced material science testing and certification with insulation and redundant sealing systems for reliable performance in long-term harsh environments. The wet-mate connectors are designed based on ODI's field proven Nautilus technology. The connection systems are tested beyond industry standards and in addition to two independent electrical barriers, each socket contact features unique dual redundant oil-filled chambers providing enhanced mechanical barriers.

Since each phase is fully shielded, the connector system can be operated wet or dry, allowing motor operation on dry land or deep water applications

An ODI ROV Shuttle Assist Mating System is incorporated into the design to aid in the mating and demating operation to reduce ROV mating time. A Gross Alignment Funnel is also available for vertical mating configurations.



WM10-250 Flying Lead  
Patent #7,959,454

## PRODUCT FEATURES

- Three Way
- 6/10(12)kV
- 250 A
- 4, 350 psi Ambient



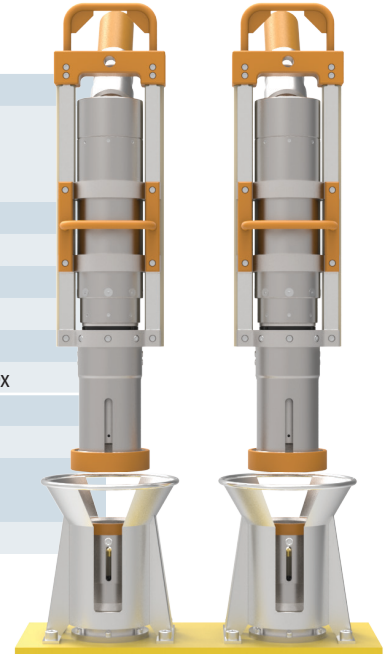
**TELEDYNE MARINE**  
Everywhere you look™

# Nautilus WM10-250

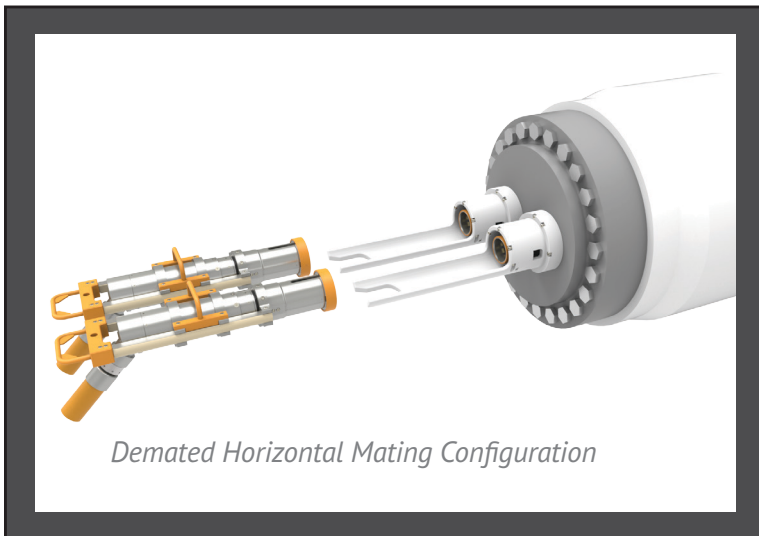
ROV Wet-Mateable Connector designed for use in deep subsea pumping, processing & boosting applications – Three way 250 A connector

## TECHNICAL SPECIFICATIONS

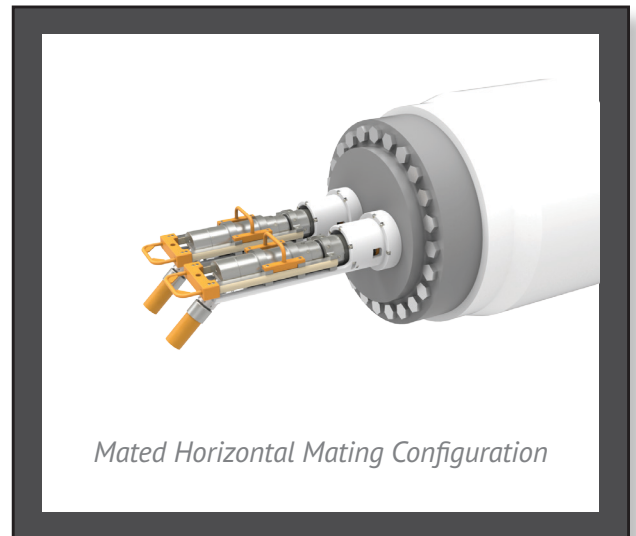
<b>GENERAL SPECIFICATIONS</b>	Operational Depth	10,000 ft (3,048 m)	
	Operational Pressure	Receptacle 4,350 psi Compensated Plug 5,300 psi Internal Differential	
	Operational Temperature	23°F to 86°F (-5°C to +30°C)	
	Storage Temperature	-13°F to 140°F (-25°C to +60°C)	
	Subsea Mate/De-Mate Cycles	>100	
	Mate/De-mate Force	≤500 lbs (2,224 N)	
	Configurations Available	ROV Mate	
	Material	Titanium, 316L Stainless Steel, or Super Duplex	
	<b>ELECTRICAL SPECIFICATIONS</b>	Number of Circuits	3
		Operational Voltage	6/10(12) kVAC
Operational Current		220 A (Air @ 20°C) 250 A (Subsea @ 5°C)	
Frequency		0-85 Hz	



Vertical Mating Configuration



Demated Horizontal Mating Configuration



Mated Horizontal Mating Configuration